

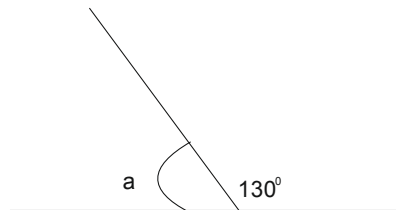
# MERCYLAND INTERNATIONAL COLLEGE

## COLLEGE HOLIDAY PROJECTS

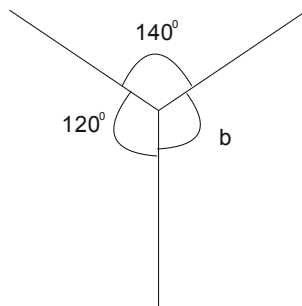
### Mathematics J.S.S 1

1 Find the size of the lettered angles and give reasons

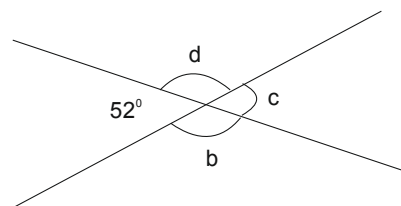
a



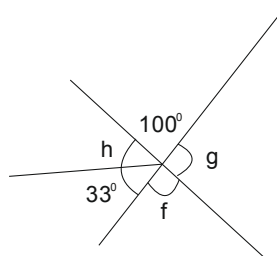
b



c



d



2 Expand the following

a  $(a+3)(a+4)$

b  $(b+2)(b+5)$

3 Remove brackets from the following

a  $3(6a+3b) + 5(2a - b)$

b  $2(3x - y) - 3(2x - 3y)$

c  $x(x - 7) + 4(x - 7)$

### **Christian Religious Studies JSS1**

Discuss how Deborah and Barak lead their people to freedom \_\_\_\_\_ Judges 4

### **English Language JSS 1**

Print out the significance of a clause and a phrase

### **YORUBA J S S 1**

1a. Kini oro aponle?

b. Kini oro apejuwe?

c. Ko gbolohun mewa ki o si fa ila si idi oro aponle ati oro apejuwe

### **Social Studies JSS 1**

Draw the map of Nigeria and show the location of the following ethnic groups

1. Hausa
2. Kanuri
3. Yoruba
4. Igbo
5. Efik
6. Ibibio
7. Fulani
8. Nupe
9. Tiv
10. Ijaw

### **HOME ECONOMICS J S S 1**

Print out a well laid table for entertainment.

### **Basic Tech J.S.S 1**

1a Define Maintenance

b List and explain the three main types of maintenance

c Enumerate five reasons for maintenance

- 2a What is blueprint reading?
- b Draw five blueprint symbols and their names

### **PHE J S S 1**

Browse and print out characteristics of a healthy person

### **AGRIC SCIENCE J.S.S 1**

Browse and print out picture of poultry fowl

### **FRENCH J S S 1**

- 1. Ecrivez vous un portrait combien tu a passe le vacance
  
- 2. Dessiner un element important dans avotre chamber

USE WHITE CARBON PAPER ANY OTHER COLOUR WILL NOT BE ACCEPTED

### **COMPUTER STUDY JSS 1**

- 1a List five uses of ICT in everyday life
- b. List three computer ethics
- 2a. Define booting
- b. List the two kinds of booting